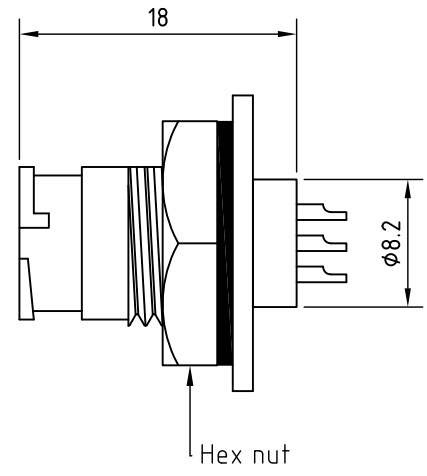
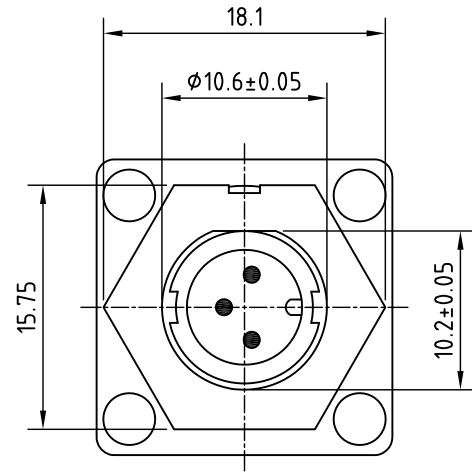


REV.	Description	Date
1	contact arrangement revise	2012/5/24



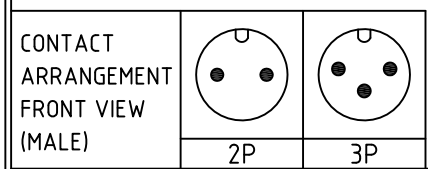
### Specification of connector

General Characteristics  
 Locking system : snap-in  
 Termination : crimp moulded  
 Shell protection : IP67

Electronical Characteristics  
 Rated voltage : 250V  
 Rated current : 5A  
 Contact resistance : ≤10mΩ  
 Insulation resistance : >10M Ω

Materials  
 Pin contact : brass  
 Contact plating : gold  
 Male insert : PA  
 Nut : PA  
 O-ring : rubber

RoHS  
 TOLERANCE X±0.5 X.X±0.3



**Unicable Co., Ltd. 國陽電業有限公司**  
 5F., No. 111-33, Sec. 4, San Ho Road, San Chung City, Taiwan, R.O.C.  
<http://www.unicable.com.tw> TEL:+886-2-2286-2122 FAX:+886-2-2286-1010

DATE	2016/10/7	PART NO.	UT-SP207F1-XP
DWN	GINA	REV.	1
CHK			
UNIT	MM		

ITEM	CIRCULAR CONNECTOR TYPE A
------	---------------------------